



HECKLER & KOCH

NO COMPROMISE

HK MP5 A4 AEG  
HK MP5 A5 AEG

ELECTRIC AIRSOFT / cal. 6 mm BB

powered by **UMAREX** [umarexusa.com](http://umarexusa.com)

UMAREX HOLDS THE WORLDWIDE EXCLUSIVE  
HK-TRADEMARK AND EXTERIOR DESIGN  
COPY LICENSE FOR USE WITH THIS PRODUCT,  
GRANTED BY HECKLER & KOCH GMBH.



HK MP5 A4



HK MP5 A5

READ THIS OWNER'S MANUAL COMPLETELY. This airsoft gun is not a toy. Treat it with the same respect you would a firearm. Always carefully follow the safety instructions found in this owner's manual and keep this manual in a safe place for future use.

**⚠ WARNING** NOT A TOY. ADULT SUPERVISION REQUIRED. MISUSE MAY CAUSE SERIOUS INJURY, ESPECIALLY TO THE EYE. EYE AND FACE PROTECTION DESIGNED FOR AIRSOFT GUNS MUST BE WORN BY THE USER AND ANY PERSON WITHIN RANGE. READ THIS OWNER'S MANUAL BEFORE USING. MAY BE DANGEROUS UP TO 220 YARDS (200 METERS).

Buyer should be at least 18 years of age to purchase this airsoft gun. Read all instructions before using. The purchaser and user should conform to all laws governing the purchase, use and ownership of airsoft guns. Read the enclosed owner's manual carefully before loading or using the airsoft gun. Eye protection required.

EN	Owner's manual	2 – 11
FR	Manuel du propriétaire	12 – 19
ES	Manual de operación del usuario	20 – 28



## SAFETY INSTRUCTIONS



## DESCRIPTION



## OPERATION



## CARE





## SAFETY INSTRUCTIONS

EN

**⚠ WARNING** This airsoft gun can cause serious injury or death. Read and follow the owner's manual carefully. Do not load a projectile into the airsoft gun until you are ready to shoot. If you do load a projectile and then decide not to shoot, remove it either manually or by shooting the airsoft gun at a safe target. An unloaded airsoft gun which is "ON SAFE" is safest. Accidents happen fast, please handle the airsoft gun safely.

Airsoft guns differ in their operation and you are never ready to fire any gun until you are thoroughly familiar with it. Read the following owner's manual thoroughly prior to operating.

These symbols and safety signal words,   **NOTICE**, mark warnings, cautions, and notices in this owner's manual. Carefully follow them for your own safety and the safety of others.

**⚠ WARNING** Failure to follow the instructions and recommendations in this owner's manual may result in bodily injury including face, eye, and ear injury, blindness, deafness or death.



**EYE PROTECTION  
REQUIRED  
WEAR YOUR  
SHOOTING GLASSES**



**NOTICE**

Batteries must not be exposed to excessive sources of heat such as sunshine, fire or similar. Only rechargeable batteries may be charged. It is unlawful to dispose of used batteries along with common household waste. You are obligated to dispose of old batteries (free of charge) at a public collection point, a business which will accept their return or at a technical customer service location. Used primary and secondary (rechargeable) batteries contain high percentages of reusable substances, so-called "recoverable resources". By ensuring their recovery through appropriate recycling processes instead of combining them with common waste materials, you make a contribution in preserving important resources and protecting the environment from harmful heavy metal substances. Batteries containing pollutants are marked with the symbol of a crossed-out garbage can and a chemical symbol (Cd, Hg or Pb) which is essential for classification of the polluting heavy metal. Please contact your local authorities for information about disposal facilities. **For lithium-based primary and secondary batteries:** Only dispose of completely discharged batteries. If a battery is not completely discharged, precautions must be taken to prevent short circuiting its terminals, e.g. isolation of the terminals.



## SAFETY INSTRUCTIONS

- You and others with you **MUST** wear shooting glasses to protect your eyes. If you wear reading glasses the lenses must be certified for impact resistance or you should wear safety glasses intended for use over normal optical reading glasses.
- You and others with you should always wear eye and face protection designed for airsoft guns.
- Always aim in a **SAFE DIRECTION**. Always keep the muzzle of the airsoft gun pointed in a **SAFE DIRECTION**. A **SAFE DIRECTION** is defined as always pointing the airsoft gun and/or the muzzle of the airsoft gun in a direction, in which if it were to discharge, it would not cause any injury or damage. Controlling where the muzzle or front of the barrel is pointed at all times, is very important.
- Always keep your finger off the trigger and out of the trigger guard until ready to shoot.
- Never point the airsoft gun at anything you do not intend to shoot.
- Always treat the airsoft gun as though it is loaded and with the same respect you would a firearm.
- Never look down the barrel of an airsoft gun.
- Always keep the airsoft gun "ON SAFE" until you are ready to shoot.
- Always check to see if the airsoft gun is unloaded when getting it from another person or from storage.
- Use .24 caliber (6 mm) plastic BBs only.
- Never reuse ammunition.
- Do not shoot at hard surfaces or at the surface of water. The BB may bounce off or ricochet and hit someone or something you had not intended to hit.
- Do not shoot at fragile objects such as windows.
- Place the backstop in a location that will be safe should the backstop fail.
- Your backstop should be checked for wear before and after each use. All backstops are subject to wear and will eventually fail. Replace your backstop if the surface is worn or damaged or if a ricochet occurs.
- Do not attempt to disassemble or tamper with your airsoft gun. Unauthorized repairs or modifying the function of your airsoft gun in any way may be unsafe and will void your warranty.
- Before you store your airsoft gun, make sure it is unloaded and the power source is removed.
- Always store your airsoft gun in a secure location away from unauthorized users and separate from ammunition.

**⚠ WARNING** Do not brandish or display this airsoft gun in public – it may confuse people and may be a crime. Police and others may think it is a firearm. This could cause aggressive action that could lead to your death. Do not change the coloration and markings to make it look more like a firearm.



## DESCRIPTION

EN



### TECHNICAL DATA

System:  
Caliber/Ammo:  
Velocity:

Barrel length:  
Length:  
Weight:

Magazine capacity:  
Dangerous area up to:

### MP5 A5

Electric Airsoft  
cal. 6 mm BB  
375 fps with 0.20 g BB  
500 fps with 0.12 g BB\*

8 inches  
19.5-25.25 inches  
6.1 lbs.  
250 BBs  
220 yards

### MP5 A4

Electric Airsoft  
cal. 6 mm BB  
375 fps with 0.20 g BB  
500 fps with 0.12 g BB\*

8 inches  
26.75 inches  
5.5 lbs.  
250 BBs  
220 yards



\*Do not use .12 g BBs in this gun, it will void your warranty.



## OPERATION

### ⚠ CAUTION

Like all mechanical devices, an airsoft gun safety can fail. Even when the safety is "ON SAFE," you should continue to handle the airsoft gun safely. Never point the airsoft gun at anything you do not intend to shoot.

**⚠ WARNING** Be sure the airsoft gun is always pointed in a safe direction. Never point the airsoft gun at any pet or person even if it is unloaded. Always assume and handle the airsoft gun as if it were loaded and ready to fire.

### ⚠ CAUTION

Always check to make sure the airsoft gun is unloaded when getting from storage or from another person.



SAFE



### ⚠ CAUTION

- When batteries are almost empty they can cause gearbox malfunctions that require repair.
- Batteries should never be overdischarged. This can damage the cell.
- Prolonged overcharging causes permanent damage to batteries.
- The battery should always be drained before charging.
- There is no warranty for batteries, because they are wear parts.
- Use only those batteries of 8.4 V or 1200 mAh.

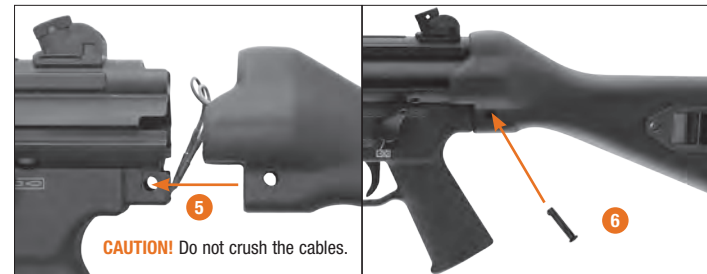
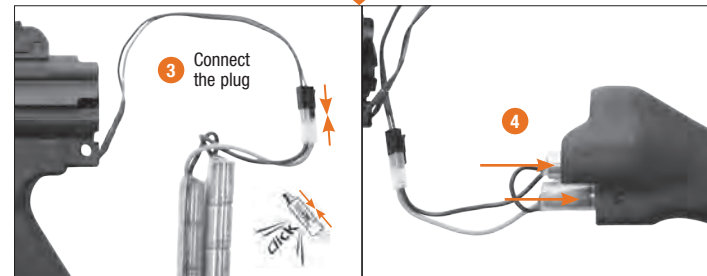
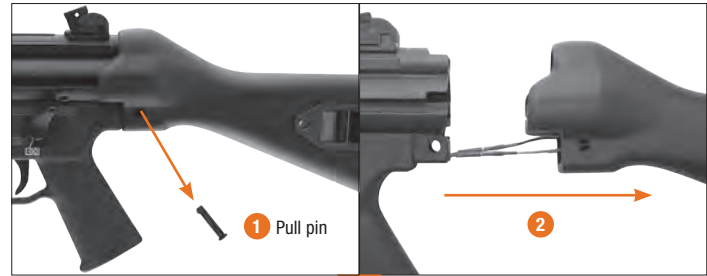
Please note that flat batteries must not be put in the household waste. Dispose of them properly, hand them in at your local shop for disposal or take them to a used battery collection location.

The rifle has an integrated MOSFET and is designed to operate only with LiPo batteries. Normal NiMH batteries do NOT fit.



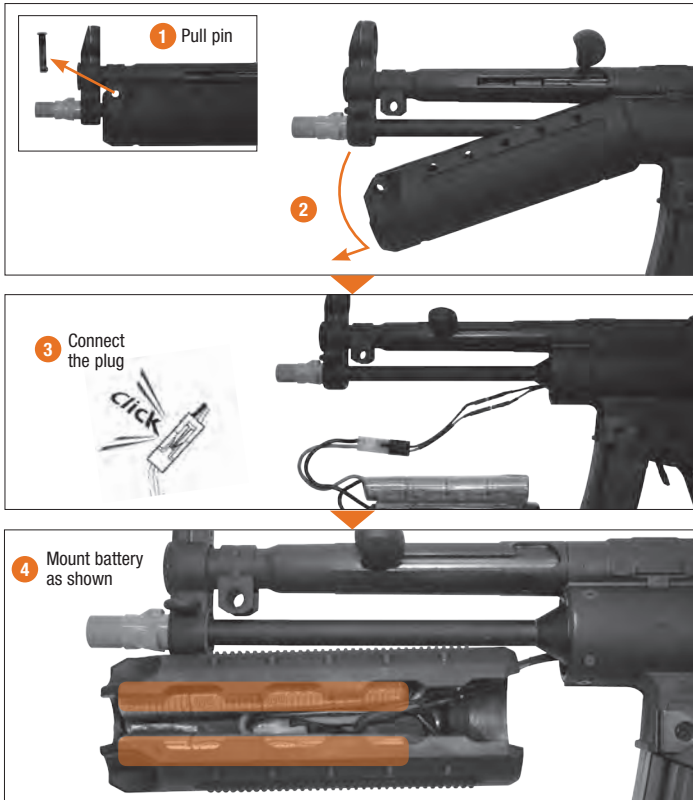
## INSERTING RECHARGEABLE BATTERY (A4 ONLY)

EN



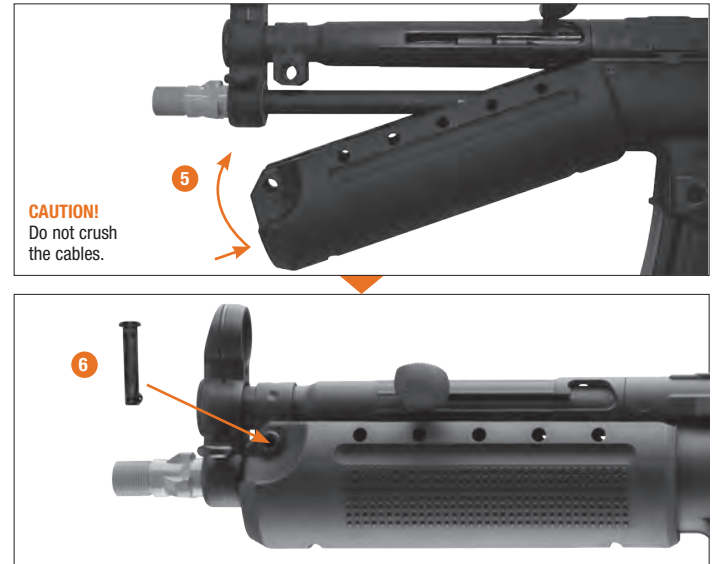


## INSERTING RECHARGEABLE BATTERY (A5 ONLY)



## INSERTING RECHARGEABLE BATTERY (A5 ONLY)

EN





## LOADING THE MAGAZINE

EN

### CAUTION



Only use flawless BBs: Never use the following BBs:

1 diameter larger than 6 mm, 2 with edges, 3 both halves not aligned, 4 used, soiled. Warranty expires if non-recommended BBs are used. It's recommended to use precision BBs from Umarex USA / Elite Force. To ensure proper operation of the magazine, protect it from dirt and dust.

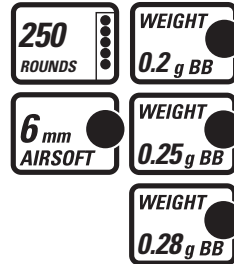
**WARNING** Use .24 caliber (6 mm) plastic BBs only in this airsoft gun. Use of any other ammunition can cause injury to you or damage to the airsoft gun.



1 Push magazine release lever



5



250  
ROUNDS

WEIGHT  
0.2 g BB

6 mm  
AIRSOFT

WEIGHT  
0.25 g BB

WEIGHT  
0.28 g BB



3  
min. 50 BBs

4 rotate for cocking



### ⚠ CAUTION

Never assume that because the airsoft gun no longer fires a projectile and/or the magazine is removed from the grip frame that a projectile is not lodged in the barrel. Always treat the airsoft gun as though it is loaded and with the same respect you would a firearm.

### ⚠ CAUTION

You and others with you should always wear shooting glasses to protect your eyes. Always make sure that the muzzle points into a safe direction.

#### Removing a Jammed BB

- Make sure the airsoft gun is pointed in a SAFE DIRECTION.
- Remove the magazine by pressing down on the magazine release button.
- Insert a 6 mm (.24 caliber) ramrod into the muzzle end of the barrel and carefully push the jammed BB into the breech. The barrel could be damaged and the warranty will be void if the proper sized ramrod is not used.
- Hold the airsoft gun upright and shake until the jammed BB falls out.
- If you are not able to unjam your airsoft gun by following this procedure, take no further action. Call Umarex USA (479)-646-4210 and ask for the service department.

### ⚠ CAUTION

Your backstop should be inspected for wear before and after each use. Discontinue use if the backstop surface shows signs of failure. Always place the backstop in a location that will be safe should the backstop fail. Discontinue the use of a backstop if the projectile rebounds or ricochets.

**NOTE:** Many factors affect airsoft gun performance and velocity, including brand of projectile, lubrication, barrel condition and temperature.

**⚠ WARNING** You and others with you should always wear shooting glasses to protect your eyes.

### ⚠ CAUTION

Do not shoot at hard surfaces or the surface of water. Projectiles may bounce off or ricochet and hit someone or something you had not intended to hit. Do not shoot at fragile surfaces such as glass or mirrors.

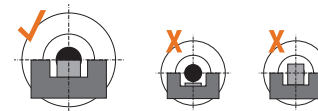


### ⚠ CAUTION

Please do not switch the fire selector while pulling the trigger. This causes severe damage to your airsoft gun.

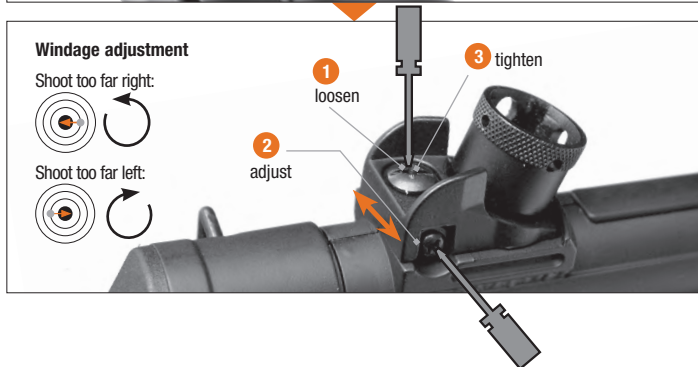


- Always aim your airsoft gun in a SAFE DIRECTION. When you are sure of your target and backstop, and the area around the target is clear, squeeze the trigger to fire.
- Always choose your target carefully. Only targets which cannot be completely penetrated or which will not cause ricochets should be used.
- Your backstop should be checked for wear before and after each use. Replace your backstop if the surface is worn or damaged, or if a ricochet occurs.
- The airsoft gun is correctly aimed when the front sight blade is positioned exactly in the notch and even with the rear sight. The top of the front sight blade should be even with the top of the notch in the rear sight. The bullseye should appear to rest on the top of the front sight.



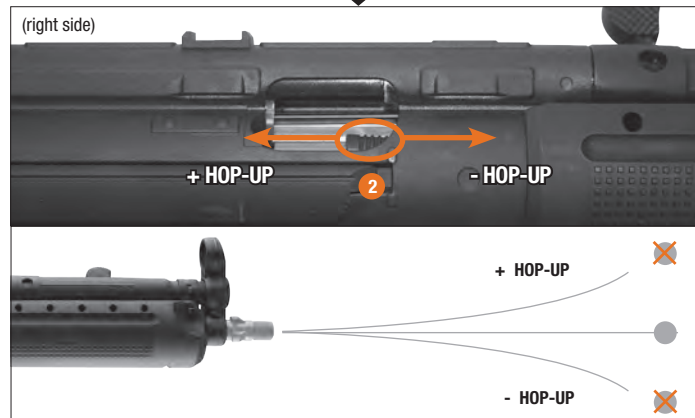


## ADJUSTABLE REAR SIGHTS



## ADJUSTABLE HOP UP | STOCK

EN



## STOCK (A5 ONLY)







## CARE

### CAUTION

Always check to make sure the airsoft gun is unloaded when getting from storage or from another person.

**WARNING** An airsoft gun that is not operating properly may be dangerous. It should be kept safely from use by anyone until repaired or destroyed. Do not try to take the airsoft gun apart. It is difficult to reassemble and improper disassembly or reassembly can cause serious injury or death.

### CAUTION

Before any care, cleaning or maintenance, always be sure your airsoft gun is unloaded. Keep pointed in a safe direction. It is important to perform routine inspections and maintain your airsoft gun properly.

With care and routine inspections your airsoft gun will provide many sessions of shooting enjoyment. Abuse, neglect and continued exposure to the elements will impair the performance of any airsoft gun. To ensure continued proper function, apply 1 to 2 drops of Elite Force Slick silicone oil onto all moving parts such as the BB Follower, gas valve and the trigger hinge (1000 shots).

**NOTICE** Oils that contain acid or resin can damage seals and possibly the finish of the airsoft gun. Do not force the rod into the barrel, as this could cause damage. Never drip silicone oil directly into the barrel.

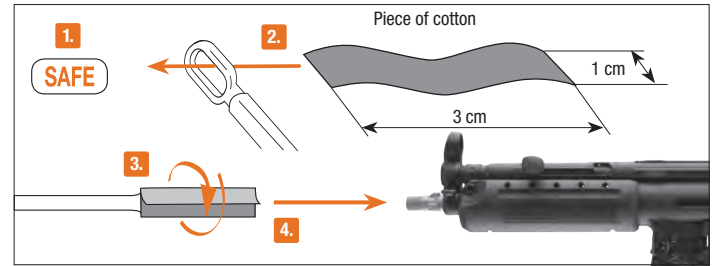
### CAUTION

The components of this airsoft gun were engineered and manufactured to deliver optimum performance. Any modification or tampering with an airsoft gun may cause a malfunction, void your warranty and may make it unsafe to use. Any change in performance (such as a lowered trigger pull force and shortened trigger travel) indicates possible modification, tampering and/or wear. Such airsoft gun should be inspected, replaced, or properly repaired by only qualified Umarex USA personnel. Any airsoft gun that has been dropped should be checked by qualified personnel to ensure that its function has not been affected.



## BARREL CLEANING

EN



Prepare a thin rod with a length of approx. 30 cm. Attach a piece of cotton fabric to its end and clean the barrel with some silicone oil.

Occasionally clean the metal parts on the outside. Use a cloth which has been slightly dampened with Elite Force Slick Silicone oil.



### PROBLEMS

Faulty shooting direction
Gun does not shoot
Low shooting speed

### POSSIBLE CAUSES

	Safety activated	Charge the magazine again	Battery / Magazine empty	Dirty barrel	Extreme temperatures	Wrong ammunition	Ammunition loaded incorrectly	Sight not properly adjusted	
Faulty shooting direction				●	●	●	●	●	
Gun does not shoot	●	●	●			●	●		
Low shooting speed				●	●	●	●		

Do not return defective or damaged product to the dealer. If your airsoft gun needs repair, call Umarex USA (479) 646-4210 and ask for the Service Department or visit [www.umarexusa.com](http://www.umarexusa.com). DO NOT ATTEMPT TO DISASSEMBLE IT! Your airsoft gun requires special tools and fixtures to repair it. Any disassembly or modification not performed by Umarex USA will void the warranty.